

PROPRIETARY AND CONFIDENTIAL

THE INFORMATION CONTAINED IN THIS DRAWING IS THE SOLE PROPERTY OF COMPUTER COMFORTS INC. ANY REPRODUCTION IN PART OR AS A WHOLE WITHOUT THE WRITTEN PERMISSION OF COMPUTER COMFORTS INC. IS PROHIBITED.

G:\NCSW\CCI\BTI\



COMPUTER COMFORTS INC.

367 COLUMBIA
MEMORIAL PKWY.
KEMAH, TX 77565
281-535-2288

DRAWN BY
SAB

DATE
3-3-11

DO NOT SCALE DRAWING

DIMENSIONS ARE IN INCHES
TOLERANCES:
FRACTIONAL $\pm 1/32$
ANGULAR: BEND $\pm 1^\circ$
ONE PLACE DECIMAL $\pm .02$
TWO PLACE DECIMAL $\pm .01$
THREE PLACE DECIMAL $\pm .005$

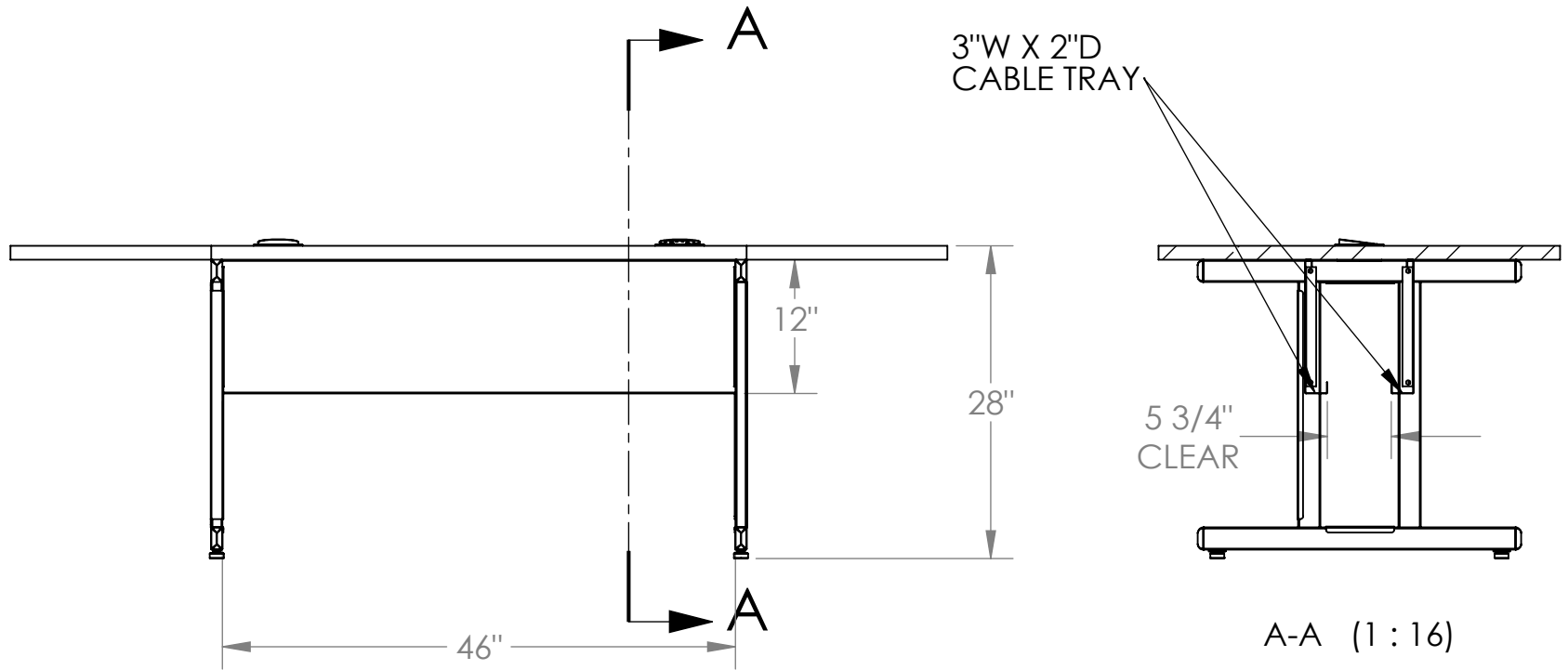
PART DESCRIPTION
BTI-843628

SIZE **A** DWG. NO.

REV.

SCALE:1:24 WEIGHT:

SHEET 1 OF 2



A-A (1:16)

PROPRIETARY AND CONFIDENTIAL

THE INFORMATION CONTAINED IN THIS DRAWING IS THE SOLE PROPERTY OF COMPUTER COMFORTS INC. ANY REPRODUCTION IN PART OR AS A WHOLE WITHOUT THE WRITTEN PERMISSION OF COMPUTER COMFORTS INC. IS PROHIBITED.

G:\NCSW\CCI\BTI\



COMPUTER COMFORTS INC.

367 COLUMBIA
MEMORIAL PKWY.
KEMAH, TX 77565
281-535-2288

DRAWN BY SAB	DIMENSIONS ARE IN INCHES TOLERANCES: FRACTIONAL $\pm 1/32$ ANGULAR: BEND $\pm 1^\circ$ ONE PLACE DECIMAL $\pm .02$ TWO PLACE DECIMAL $\pm .01$ THREE PLACE DECIMAL $\pm .005$	PART DESCRIPTION BTI-843628
DATE 3-3-11	DO NOT SCALE DRAWING	SCALE: 1:24
		WEIGHT:
		SHEET 2 OF 2